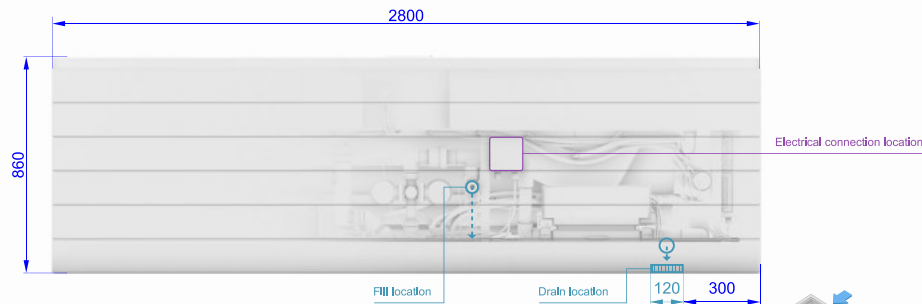
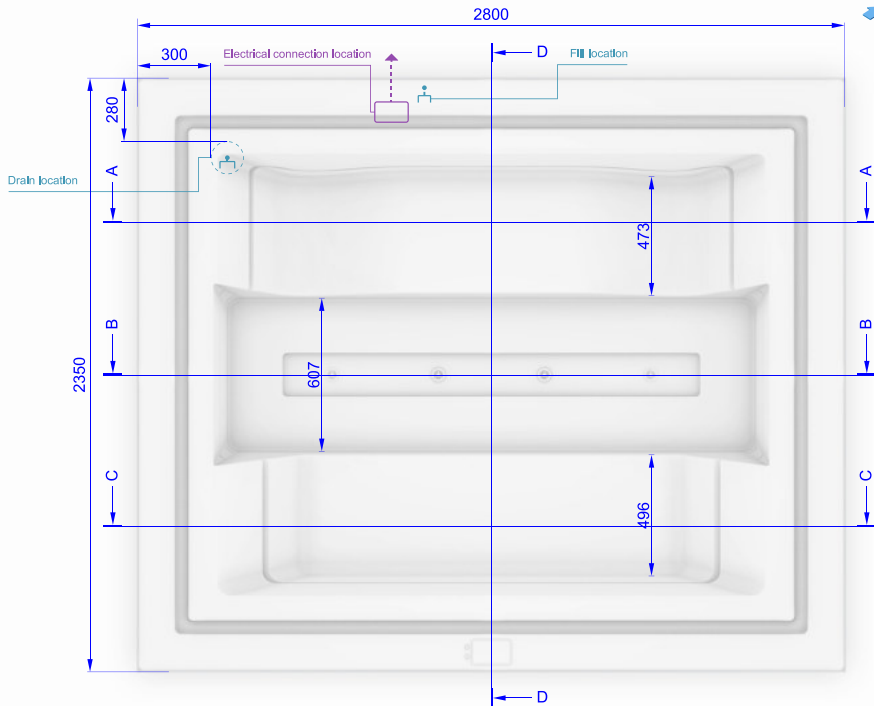
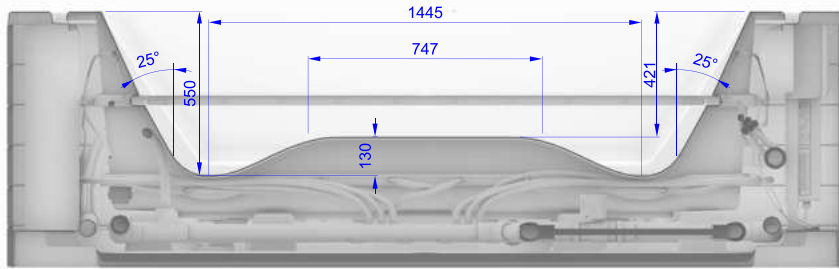


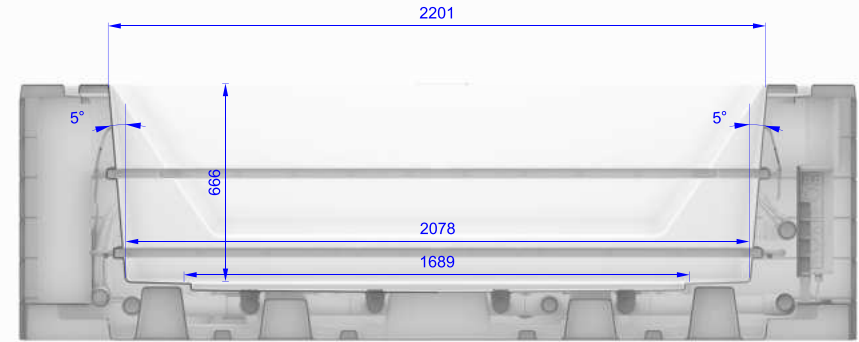
- Fill/ Drain location
- Electrical connection location



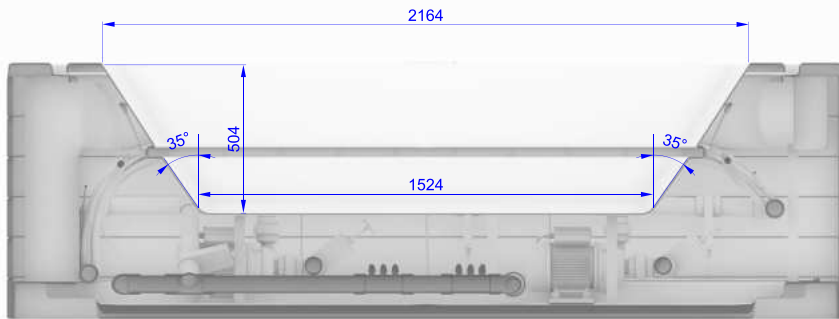
DRAWN	2024-09-16	aquatica®		
...				
QA		SIZE	DWG NO	REV
...		-		00
		SCALE		SHEET 1 OF 2



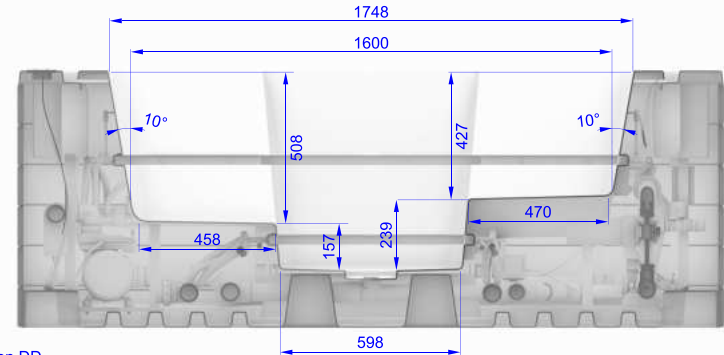
Section AA



Section BB



Section CC



Section DD

DRAWN	2024-09-16	aquatica®		
...				
QA		TITLE VIBE Infinity Spa With Thermory Wooden Siding		
...		SIZE	DWG NO	REV
		-		00
		SCALE		SHEET 2 OF 2